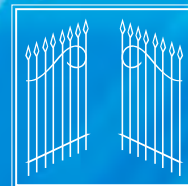


JUBI 433

➤ Radio transmitter
"Rolling-Code"



ENCODING INSTRUCTIONS
RADIO TRANSMITTER JUBI•433

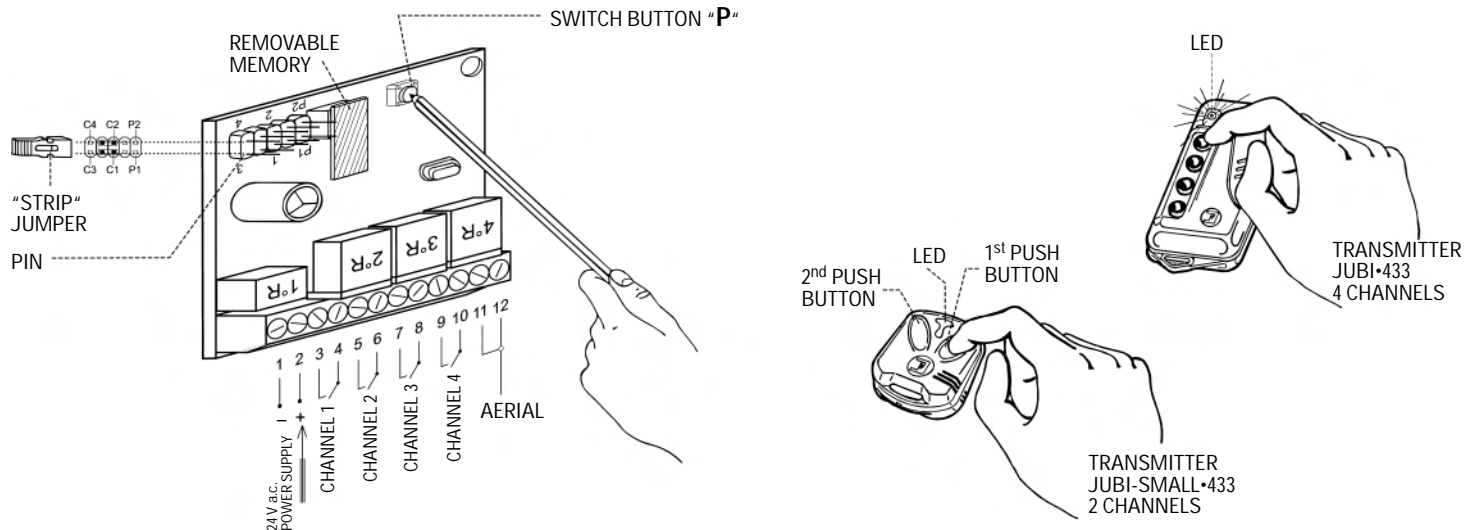


FADINI[®]
the gate opener

RADIO RECEIVER EXTERNAL TYPE. ENCODING INSTRUCTIONS AND WORKING PRINCIPLE

Drwg. No. 3706

RECEIVER FOR EXTERNAL APPLICATION



ANY BUTTON IN THE TRANSMITTER CAN BE PRESSED TO OPERATE ANY REQUIRED CHANNEL, PROVIDED THAT THE "STRIP" IS INSERTED IN THE PROPER "PIN" CONNECTORS THAT CORRESPOND TO THE DESIRED CHANNEL. ENCODE THE UNIT AS DESCRIBED.

The instructions that follow explain how to set a personalized code (ie. user's code) with any one receiver. First supply 24 Volt a.c. power to terminals 1 (-) and 2 (+) in the receiver terminal board - then insert the "STRIP" as in position "C1". This activates the relay "1R" that corresponds to terminals 3 and 4 (CHANNEL No. 1). The next step is to press simultaneously the switch button "P" on the receiver PC board and the switch button "T" (any desired one) on the transmitter for about five seconds. Once the code has been memorized by the unit, the "LED" on the receiver PC board switches on. Release the transmitter button and the receiver switch button; remove the "STRIP" jumper and insert it on to a "PIN" connector on standby. Now the radio remote control set has been encoded with a personalized, secret code and is ready to work. Repeat the above sequence for channels 2-3-4. Insert the "STRIP" jumper in the correct position as required, as follows:

- Position "C2". It corresponds to relay No. 2 (2R) - Channel No. 2 - Terminals 5-6
- Position "C3". It corresponds to relay No. 3 (3R) - Channel No. 3 - Terminals 7-8
- Position "C4". It corresponds to relay No. 4 (4R) - Channel No. 4 - Terminals 9-10

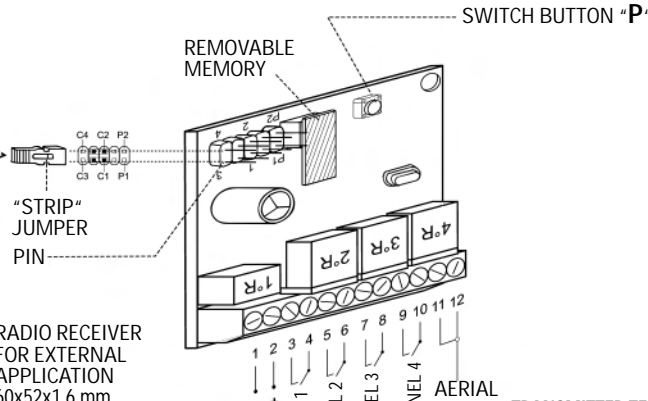
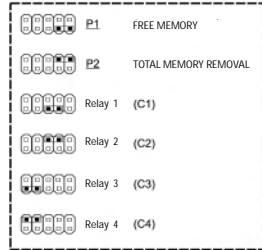
SHOULD THE POWER SUPPLY FAIL OR THE 24 V a.c. - 12 Vd.c. BE DISCONNECTED FROM THE RECEIVER, THE USER'S CODE IS RETAINED IN THE REMOVABLE MEMORY THAT CAN BE FITTED ON TO ANOTHER CARD.

TECHNICAL SPECIFICATIONS. RADIO RECEIVER EXTERNAL TYPE AND TRANSMITTER

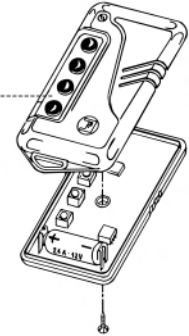
Drwg. No. 3707

RADIO RECEIVER FOR EXTERNAL APPLICATION

PIN COMBINATIONS



TRANSMITTER
Jubi•433 - 4 CHANNELS
84x43x17 mm



RADIO RECEIVER TECHNICAL SPECIFICATIONS

Working frequency.....	433.92 MHz
Sensitivity (to operating pulse).....	> 1 uV
Distance range	100 meters
Power supply with alternated current.....	24 Vac (+/- 10%)
Power supply with direct current	12 Vdc (+ 20% -5%)
Working absorption.....	25 mA (1 st energized channel)
Standby absorption	10 mA
Decrypt	DIGITAL
No. of channels.....	4
Changeover contact relay.....	N.O. (Channel 1) - N.O. or N.C. (Channels 2-3-4)
Relay rating	0.5 A - 125 Vac
Excitation time	200 ms (1 complete code)
Dropout time.....	300 ms (from last valid code)
Working temperature.....	-10° C + 55° C

* Channel 1 module is factory fitted. Fit the other relay modules into the respective connectors for the remaining channels.

SHOULD THE POWER SUPPLY FAIL OR THE 24 V a.c. - 12 Vd.c. BE DISCONNECTED FROM THE RECEIVER, THE USER'S CODE IS RETAINED IN THE REMOVABLE MEMORY THAT CAN BE FITTED ON TO ANOTHER CARD.

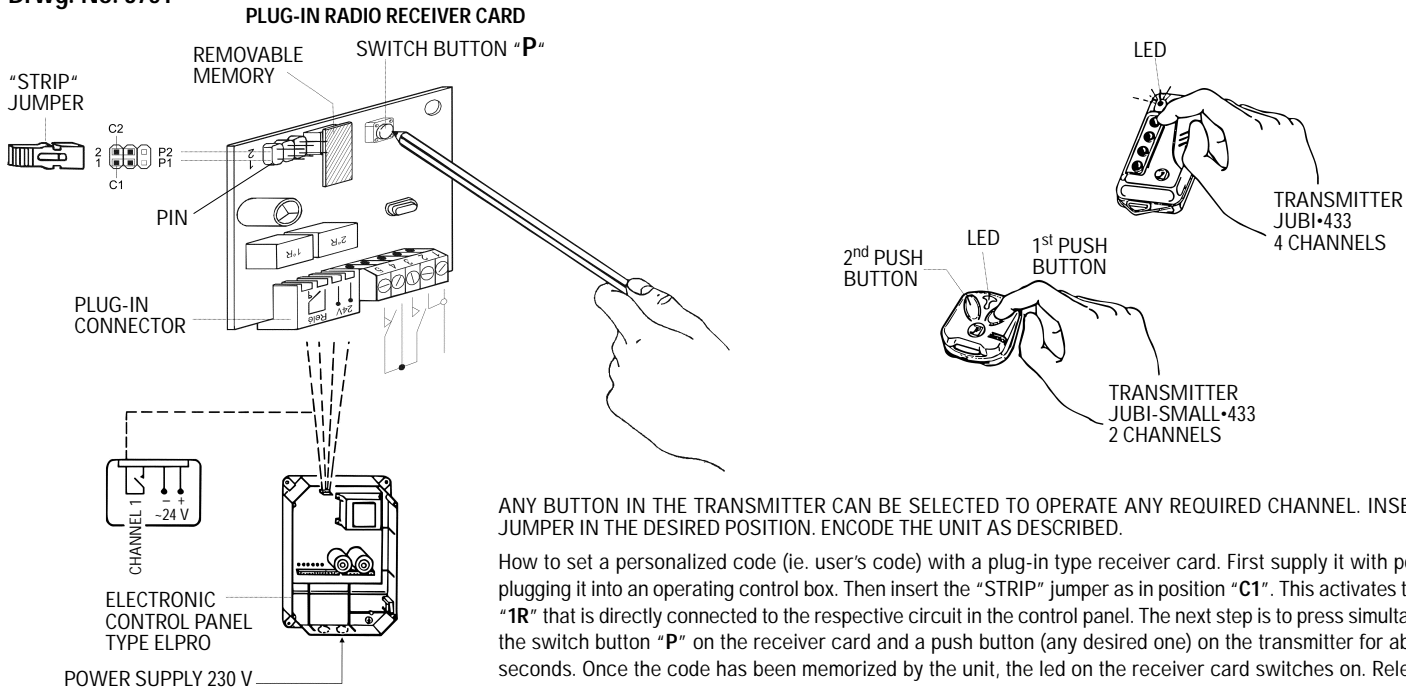
TRANSMITTER TECHNICAL SPECIFICATIONS

Working frequency.....	433.92 MHz
Carrier frequency tolerance	+/-75 KHz
Radiated power	100 uW
Band width	>25 KHz
Apparent power of the harmonic products.....	<-54 dBm (<4 uW)
Supply voltage	12 Vdc -23 A (+20% -50%)
Mean absorption	14 mA
Working temperature.....	-40° C +85° C
No. of channels.....	4
Distance range	120 meters
Code type.....	DIGITAL (2 ⁶⁴ encrypted) "Rolling-Code"

- A radio signal is activated by pressing a button in the transmitter and stays on as long as the button is kept down. A red led switches on to confirm the signal.
- An electric contact is closed instantaneously on releasing the button and the unit becomes operating.
- Replace the 12V battery should the led flash on/off on pressing the button.
- To achieve best performance of the aerial, make sure that the core and the braided wire of the coaxial cable are connected to their respective terminals as indicated.
- Keep the transmitter away from heat sources and handle it with care.
- Dispose properly of run down batteries.

SELF-LEARNING PLUG-IN CARD. ENCODING INSTRUCTIONS AND WORKING PRINCIPLE

Drwg. No. 3751



ANY BUTTON IN THE TRANSMITTER CAN BE SELECTED TO OPERATE ANY REQUIRED CHANNEL. INSERT THE JUMPER IN THE DESIRED POSITION. ENCODE THE UNIT AS DESCRIBED.

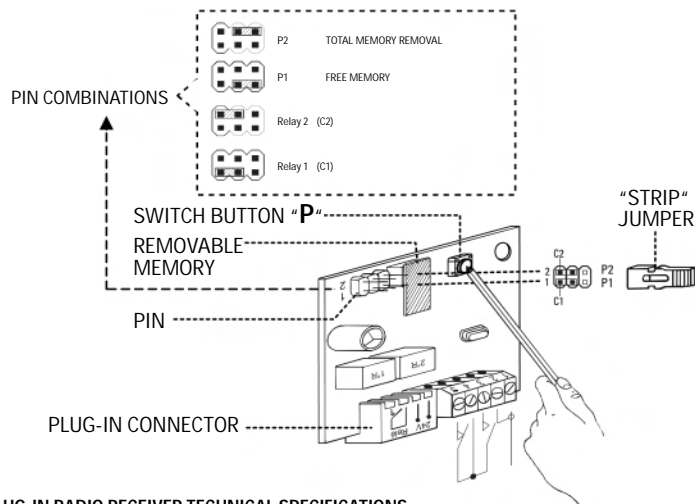
How to set a personalized code (ie. user's code) with a plug-in type receiver card. First supply it with power by plugging it into an operating control box. Then insert the "STRIP" jumper as in position "C1". This activates the relay "1R" that is directly connected to the respective circuit in the control panel. The next step is to press simultaneously the switch button "P" on the receiver card and a push button (any desired one) on the transmitter for about five seconds. Once the code has been memorized by the unit, the led on the receiver card switches on. Release the transmitter button and receiver switch button; remove the "STRIP" jumper and insert it on to one "PIN" only. Now the radio remote control set has been encoded with a personalized secret code and is ready to work. Repeat the above sequence to encode channel No. 2, which provides an extra output for user's personal applications, but the jumper must be inserted in position "C2" to activate the second relay "2R" through another transmitter button. The connection to output for channel 2 can either be normally open or closed (N.O. - N.C.) to meet all possible applications.

SHOULD THE POWER SUPPLY FAIL OR THE 24 V a.c. - 12 Vd.c. BE DISCONNECTED FROM THE RECEIVER, THE USER'S CODE IS RETAINED IN THE REMOVABLE MEMORY THAT CAN BE FITTED ON TO ANOTHER CARD.

TECHNICAL SPECIFICATIONS. PLUG-IN RADIO RECEIVER AND TRANSMITTER

Drwg. No. 3702

PLUG-IN RADIO RECEIVER 56x43x1,6 mm

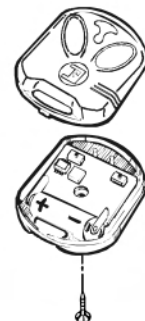


PLUG-IN RADIO RECEIVER TECHNICAL SPECIFICATIONS

Working frequency.....	433.92 MHz
Sensitivity (to operating pulse).....	> 1 μ V
Distance range.....	100 meters
Power supply with alternated current.....	24 Vac (+/- 10%)
Power supply with direct current.....	12 Vdc (+ 20% -5%)
Working absorption.....	25 mA (1 st energized channel)
Standby absorption.....	10 mA
Decrypt.....	DIGITAL
No. of channels.....	2
Changeover contact relay.....	N.O. (Channel 1) - N.O. or N.C. (Channel 2)
Relay rating.....	0.5 A - 125 Vac
Excitation time.....	200 ms (1 complete code)
Dropout time.....	300 ms (from last valid code)
Working temperature.....	-10° C + 55° C

SHOULD THE POWER SUPPLY FAIL OR THE 24 V a.c. - 12 Vd.c. BE DISCONNECTED FROM THE RECEIVER, THE USER'S CODE IS RETAINED IN THE REMOVABLE MEMORY THAT CAN BE FITTED ON TO ANOTHER CARD.

TRANSMITTER Jubi-Small•433, 2 CHANNELS, 40x48x14 mm

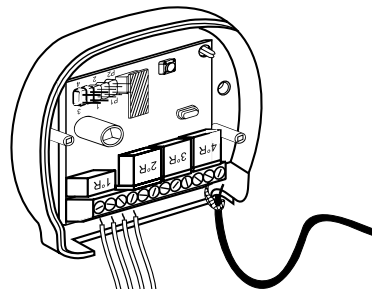


TRANSMITTER TECHNICAL SPECIFICATIONS

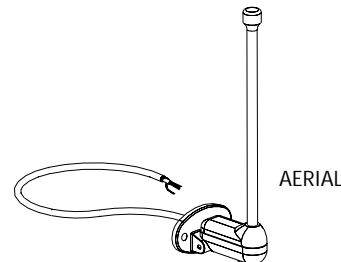
Working frequency.....	433.92 MHz
Carrier frequency tolerance.....	+/-75 KHz
Radiated power.....	100 μ W
Band width.....	>25 KHz
Apparent power of the harmonic products.....	<-54 dBm (<4 μ W)
Supply voltage.....	12 Vdc -23 A (+20% -50%)
Mean absorption.....	12 mA
Working temperature.....	-40° C + 85° C
No. of channels.....	2
Distance range.....	120 meters
Code type.....	DIGITAL (2 ⁶⁴ encrypted) "Rolling-Code"

- A radio signal is activated by pressing a button in the transmitter and stays on as long as the button is kept down. A red led switches on to confirm the signal.
- An electric contact is closed instantaneously on releasing the button and the unit becomes operating.
- Replace the 12V battery should the led flash on/off on pressing the button.
- To achieve best performance of the aerial, make sure that the core and the braided wire of the coaxial cable are connected to their respective terminals as indicated.
- Keep the transmitter away from heat sources and handle it with care.
- Dispose properly of run down batteries.

TO STORE OTHER TRANSMITTER CODES INTO THE SAME RECEIVER MEMORY



RECEIVER
ALREADY
CONNECTED



AERIAL

POWER SUPPLY
~24 VOLT a.c.
(No. 1-2)

1st CHANNEL (No. 3-4)



A

B



HOW TO DUPLICATE OR ENCODE NEW TRANSMITTERS, WHICH ARE TO OPERATE THE SAME RECEIVER. IT IS REQUIRED TO PERFORM TWO OPERATIONS IN A SEQUENCE, AND A PREVIOUSLY ENCODED TRANSMITTER MUST BE AVAILABLE. ENCODING OPERATIONS ARE TO BE PERFORMED AT A RECOMMENDED DISTANCE, ie. 10 TO 20 METRES FROM THE OPERATIVE RECEIVER AND ARIAL.

1st OPERATION

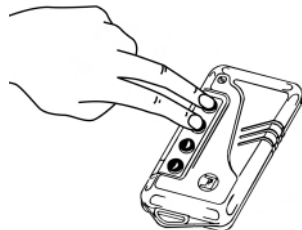
A new transmitter "A" (blank, ie. not previously encoded) is available. Press any two buttons simultaneously for 10 seconds. Release the buttons and carry on the 2nd operation within 15 seconds.

2nd OPERATION

Transmitter "B" (previously encoded) is available; Press two buttons (corresponding to those in transmitter "A") simultaneously for 10 seconds. Once the buttons are released, the receiver can read the code from the new transmitter when this is used.

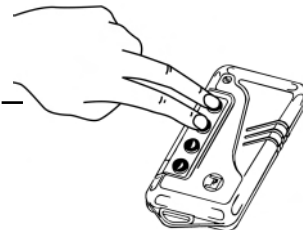
THE ABOVE SEQUENCE OF OPERATIONS IS TO BE REPEATED WITH EACH NEW TRANSMITTER THAT IS REQUIRED TO BE USED ALONG WITH THE EXISTING ONES.

WHEN TWO BUTTONS ARE PRESSED SIMULTANEOUSLY NO RELAY IS ACTIVATED.



A

B

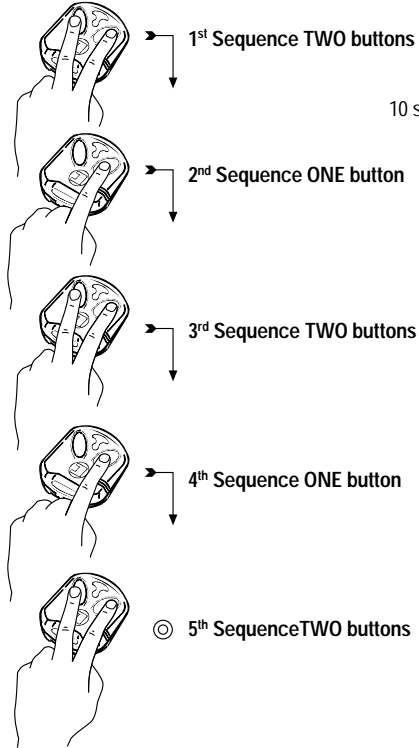


BLANK
TRANSMITTER

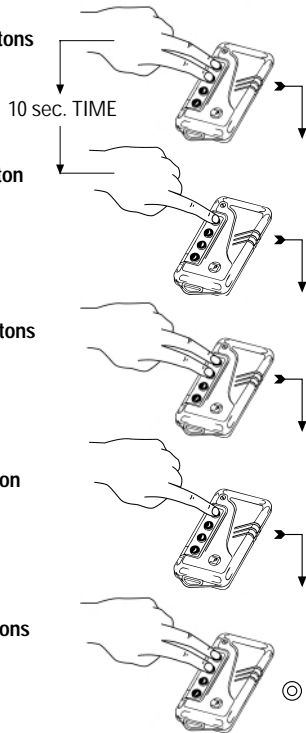
PREVIOUSLY ENCODED
TRANSMITTER

HOW TO ERASE A TRANSMITTER CODE FROM A RECEIVER

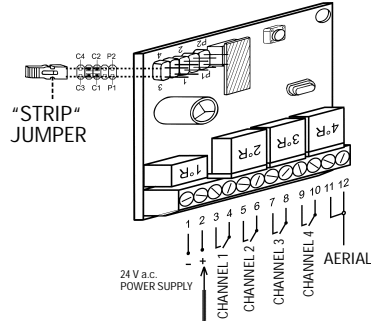
TRANSMITTER Jubi-Small•433, 2 CHANNELS



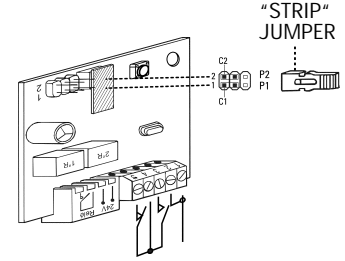
TRANSMITTER Jubi•433, 4 CHANNELS



STAND ALONE RADIO RECEIVER CARD



PLUG-IN RADIO RECEIVER CARD



THIS EXPLAINS HOW TO ERASE A TRANSMITTER CODE FROM A RECEIVER. ALTERNATING OPERATIONS ARE TO BE PERFORMED IN A SEQUENCE WITH THE SAME TRANSMITTER. RECOMMENDED DISTANCE FROM THE OPERATIVE RECEIVER AND AERIAL IS 10 TO 20 METRES.

Operative sequence

Insert the jumper "STRIP" as in position "P1" (if not already pre-set)

1st Operation. Press two buttons on the transmitter simultaneously. Release the buttons. Proceed to the 2nd operation.

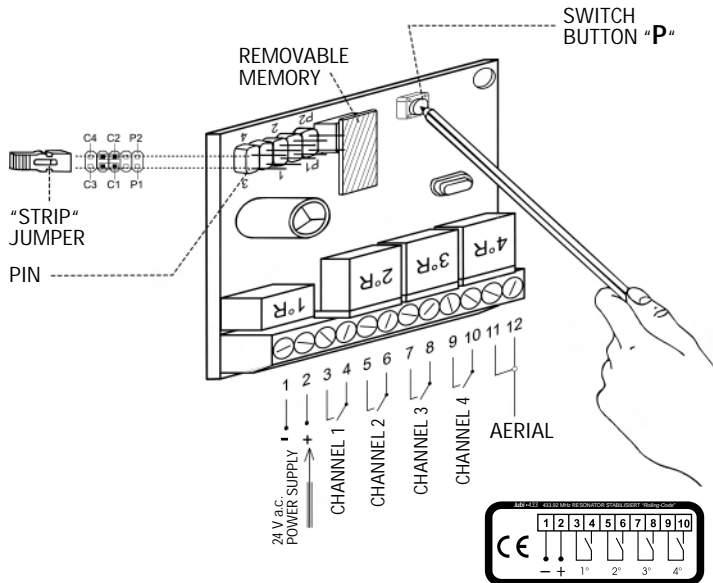
2nd Operation. Press one button only (as in the picture), then release it and proceed to the 3rd operation, i.e. press again the two buttons simultaneously. In other words you repeat the first two operations alternately 5 times in total, as in the picture. The limit time between one operation and the other is 10 seconds.

SHOULD IT BE REQUIRED TO ERASE SEVERAL TRANSMITTER CODES, THE ABOVE SEQUENCE MUST BE PERFORMED INDIVIDUALLY FOR EACH TRANSMITTER.

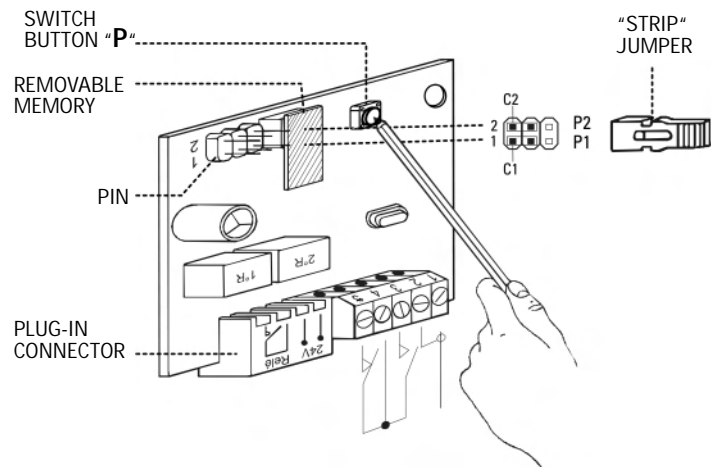
SHOULD YOU FAIL TO COUNT THE OPERATIONS IN THE CORRECT SEQUENCE OR PRESS THE WRONG BUTTONS, YOU HAVE TO START FROM THE BEGINNING. WAIT ONE MINUTE BEFORE REPEATING THE SEQUENCE. MAKE SURE THAT THE RECEIVER HAS VOLTAGE.

FREE MEMORY MONITORING P1 Jubi•433 – “ROLLING-CODE”

RADIO RECEIVER Jubi•433 EXTERNAL USE - 4 CHANNELS
STABILIZED RESONATOR, 433.92 MHz, SELF LEARNING, “ROLLING-CODE”



RADIO RECEIVER Jubi•433 PLUG-IN TYPE - 2 CHANNELS
STABILIZED RESONATOR, 433.92 MHz, SELF LEARNING, “ROLLING-CODE”

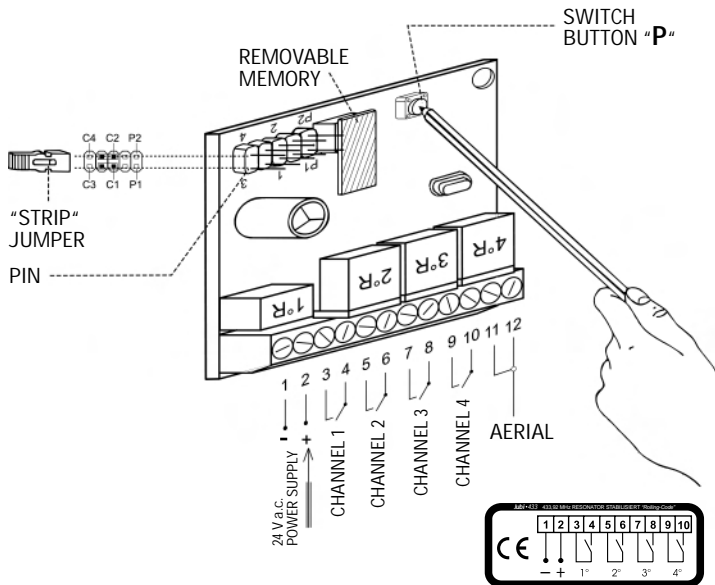


Monitoring the free portion, i.e. storage availability in the receiver memory. 24 Volt power supply still connected to the unit. Insert the "STRIP" jumper as in position "P1" (PIN) and press the button switch "P" for 5 seconds: after releasing it, a number of flashes can be noted. Each flash of light through the "LED" corresponds to 25 transmitters that can be still encoded and stored in the memory. - Example: 7 flashes of light can be counted. It means: 25 still available codes times 7, i.e. the No. of the flashes is equal to 175, i.e. the number of transmitters that can still be encoded and stored. Once the test is finished, remove the "STRIP" and put it on to one pin only to stop any linking, i.e. operative action.

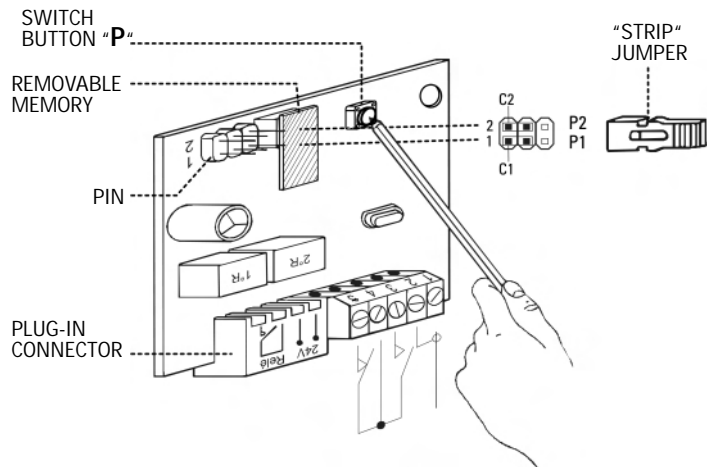
FOR ENCODING AND STORING OPERATIONS WITH OTHER TRANSMITTERS FOLLOW THE INSTRUCTIONS ON DRAW. 3706 - 3751.

TOTAL MEMORY REMOVAL P2 Jubi•433 – “ROLLING-CODE”

RADIO RECEIVER Jubi•433 EXTERNAL USE - 4 CHANNELS
 STABILIZED RESONATOR, 433.92 MHz, SELF LEARNING, “ROLLING-CODE”



RADIO RECEIVER Jubi•433 PLUG-IN TYPE - 2 CHANNELS
 STABILIZED RESONATOR, 433.92 MHz, SELF LEARNING, “ROLLING-CODE”

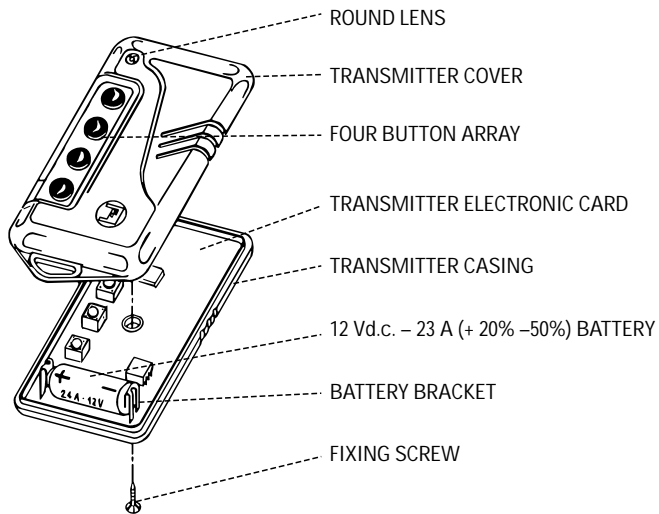


To perform the total removal of the receiver encoded memory, position the “STRIP” as in “P2”, the receiver still under 24 V a.c. - 12 Vd.c. voltage supply. Press the switch button “P” for 5 seconds, then release it. The led flashes once to confirm that the removal operation has been carried out completely. Remove the “STRIP” and position it on to one “PIN” only to prevent any operative action.

TO ENCODE NEW AND EXISTING TRANSMITTERS AND STORE THEIR CODES ANEW IN THE RECEIVER MEMORY KEEP TO THE INSTRUCTIONS ON DRAW. 3706 - 3751.

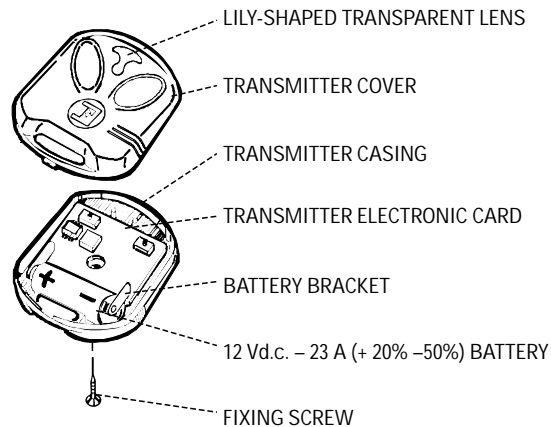
Jubi•433 - 4 CHANNELS

COLOUR: METAL BLACK
NIGHT BLUE BUTTONS

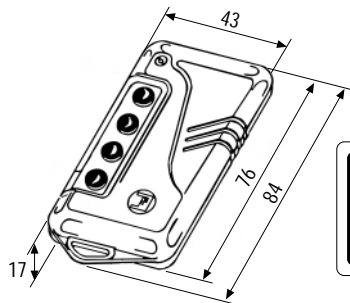


Jubi-Small•433 - 2 CHANNELS

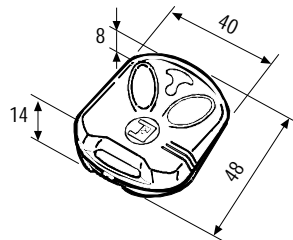
COLOUR: NIGHT BLUE



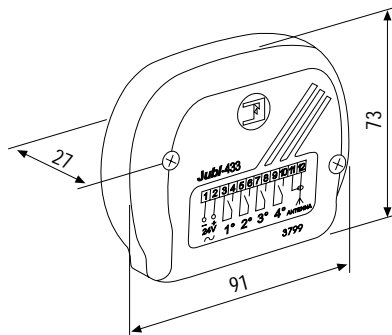
OVERALL DIMENSIONS



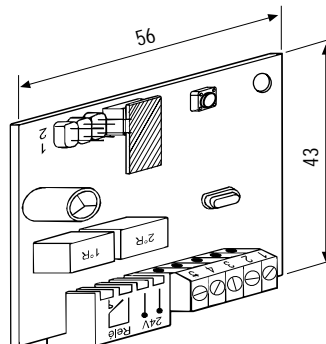
4 CHANNELS



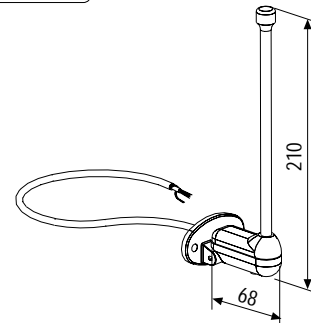
2 CHANNELS



RADIO RECEIVER EXTERNAL TYPE
Jubi•433 - 4 CHANNELS



PLUG-IN CARD TYPE
Jubi•433 - 2 CHANNELS





FADINI

the gate opener

Made in Italy



meccanica

FADINI[®]

s.n.c.

AUTOMATIC GATE MANUFACTURERS

Via Mantova, 177/A - 37053 Cerea (Verona) Italy - Tel. 0442 330422 r.a. - Fax 0442 331054 - e-mail: info@fadini.net - www.fadini.net